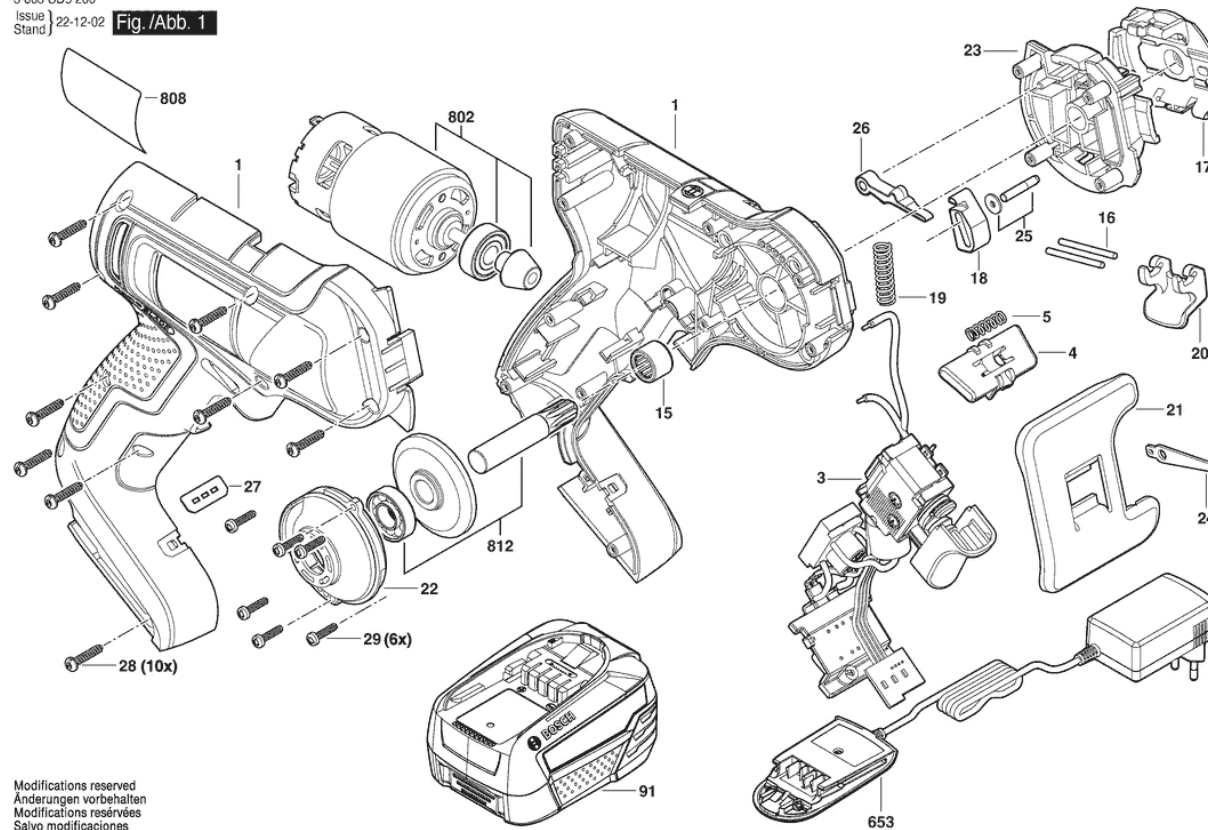


Illustration - Type - E

3 603 CD5 200  
 Issue |  
 Stand | 22-12-02 **Fig./Abb. 1**



Modifications reserved  
 Änderungen vorbehalten  
 Modifications réservées  
 Salvo modificaciones

## Spare parts list

Item	Part Number	Description
1	1 605 806 6DZ	Housing
3	2 607 202 571	Electronic Assembly
4	1 600 A02 AM7	Lever
5	1 600 A00 7HY	Spring
15	2 600 910 001	Needle-Roller Bearing    Ø14 MM
16	1 600 A00 3HJ	Pin
17	1 600 A00 495	Flap
18	1 600 A00 3SD	Tensioning device
19	1 604 612 012	Compression Spring
20	1 600 A00 496	Clamping Lever
21	1 600 A00 34V	Base Plate
22	1 605 808 091	Bearing Flange
23	1 605 806 586	Housing
24	1 600 A00 F9P	Riving Knife
25	1 600 A00 3SB	Pin
26	1 600 A00 7RM	Lever
27	1 601 11C 4U5	Sticker
28	2 609 110 201	Torx Flat-Head Screw    3X16
29	2 609 110 361	Screw
91	1 607 A35 0RU	Battery Pack
653	2 607 226 517	Charger
653	2 607 226 519	Charger
802	1 607 022 6BE	DC motor
808	1 601 11A 9VZ	Nameplate
812	1 600 A02 NH1	Drive Shaft